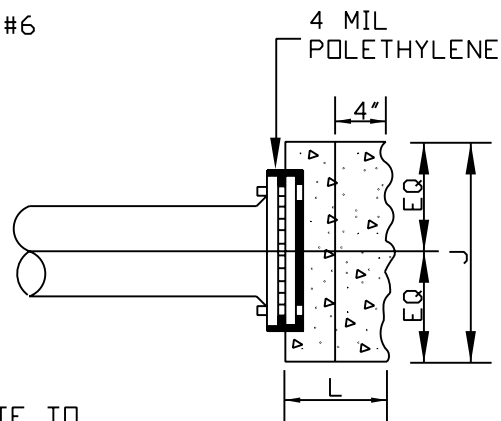


PLAN

REINFORCING FOR 16"
DIA. & LARGER PIPE #6
@ 6" E. W.



ELEVATION

CARRY CONCRETE TO
UNDISTURBED EARTH
OR FIRM SUBGRADE

SIZE	J	K	L
4"	1'-0"	1'-0"	8"
6"	1'-6"	1'-6"	8"
8"	2'-6"	1'-6"	10"
10"	2'-8"	2'-2"	1'-0"
12"	3'-6"	2'-6"	1'-2"
16"	4'-8"	3'-4"	1'-4"
18"	6'-0"	4'-0"	1'-6"
20"	6'-0"	4'-0"	1'-6"
24"	6'-8"	5'-0"	1'-8"

NOTE:
SEE APPLICABLE
NOTES AS SHOWN
ON BLK-1.

NOTE: BLOCKING BASED ON PRESSURE OF 150 P.S.I. AND
ALLOWABLE SOIL BEARING CAPACITY OF 2000 P.S.F.
CONCRETE TO BE 3000 P.S.I.

DATE
MAY 2004
HANOVER
DPU

BLOCKING DETAIL
PLUGS, CAPS, AND HYDRANTS

DRWG. NO.
BLK-3