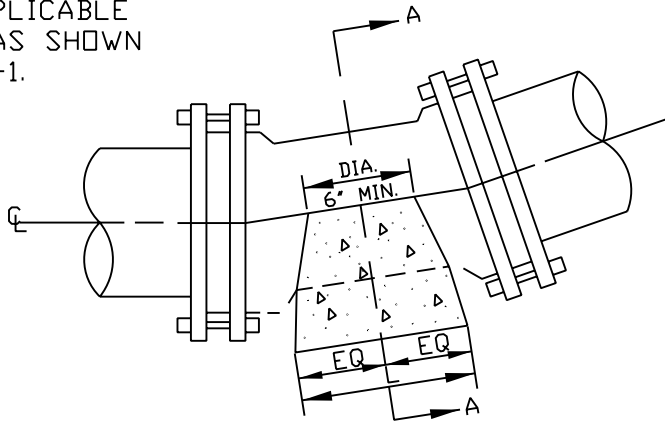
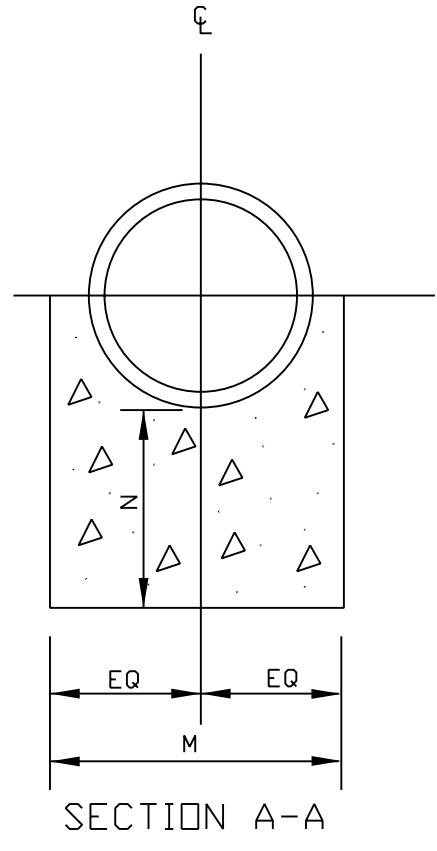


NOTE:
SEE APPLICABLE
NOTES AS SHOWN
ON BLK-1.



ELEVATION

CARRY CONCRETE TO
UNDISTURBED EARTH
OR FIRM SUBGRADE.



SECTION A-A

| PIPE SIZE | 11-1/4° BEND | | | 22-1/2° BEND | | | 45° BEND | | |
|--------------|--------------|-------|-------|--------------|-------|-------|----------|-------|-------|
| | L | M | N | L | M | N | L | M | N |
| 6" | 6" | 1'-2" | 8" | 10" | 1'-2" | 8" | 1'-2" | 1'-2" | 8" |
| 8" | 8" | 1'-4" | 8" | 11" | 1'-4" | 8" | 1'-9" | 1'-4" | 8" |
| 10" | 8" | 1'-6" | 8" | 1'-3" | 1'-6" | 9" | 2'-5" | 1'-6" | 1'-0" |
| 12" | 8" | 2'-0" | 8" | 1'-4" | 2'-0" | 9" | 2'-8" | 2'-0" | 1'-2" |
| 16" | 1'-1" | 2'-4" | 9" | 2'-1" | 2'-4" | 1'-0" | 4'-0" | 2'-4" | 1'-6" |
| 18" | 1'-5" | 2'-8" | 10" | 2'-9" | 2'-8" | 1'-2" | 5'-6" | 2'-8" | 2'-0" |
| 20" | 1'-5" | 2'-8" | 10" | 2'-9" | 2'-8" | 1'-2" | 5'-6" | 2'-8" | 2'-0" |
| 24" | 1'-10" | 3'-0" | 1'-0" | 3'-7" | 3'-0" | 1'-4" | 6'-0" | 3'-6" | 2'-6" |

NOTE: BLOCKING BASED ON PRESSURE OF 150 PSI AND ALLOWABLE SOIL BEARING CAPACITY OF 2000 PSF. CONCRETE TO BE 3000 PSI.

DATE
MAY 2004
HANOVER
DPJ

**BLOCKING DETAIL
LOWER VERTICAL BENDS**

DRWG. NO.
BLK-4