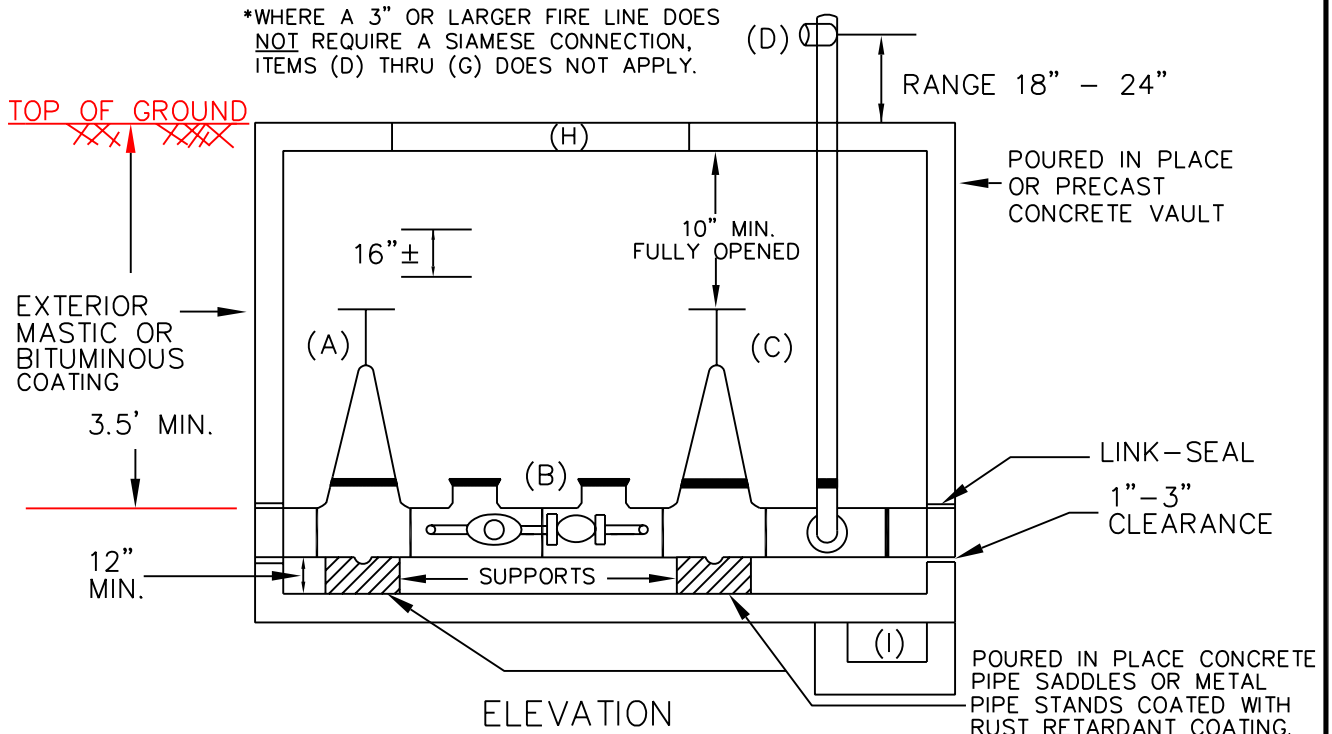


PLAN

- (A) OUTSIDE STEM AND YOKE GATE VALVE
- (B) DOUBLE DETECTOR CHECK VALVE ASSEMBLY
- (C) OUTSIDE STEM AND YOKE GATE VALVE
- * (D) 2 1/2" THREADED N.S.T. SIAMESE CONNECTION FOR FIRE DEPARTMENT W/AUTOMATIC BALL DRIP
- * (E) REQUIRED (MAIN LINE SIZE) " X 4"
- * (F) 4" CHECK VALVE
- * (G) 4" - 90° BEND
- (H) JD-2AL 4' X 4' BILCO DOOR, OR AS MANUFACTURED BY VA. SPRINKLER COMPANY, OR APPROVED EQUAL.
- (I) SUMP WHERE WATER TABLE IS A PROBLEM OR GRAVITY DRAIN WHERE WATER TABLE IS NOT A PROBLEM.



DATE
MAY 2004
HANOVER
DPU

3" OR LARGER DOUBLE DETECTOR CHECK ASSEMBLY AND VAULT

DRWG. NO.
FIR-4