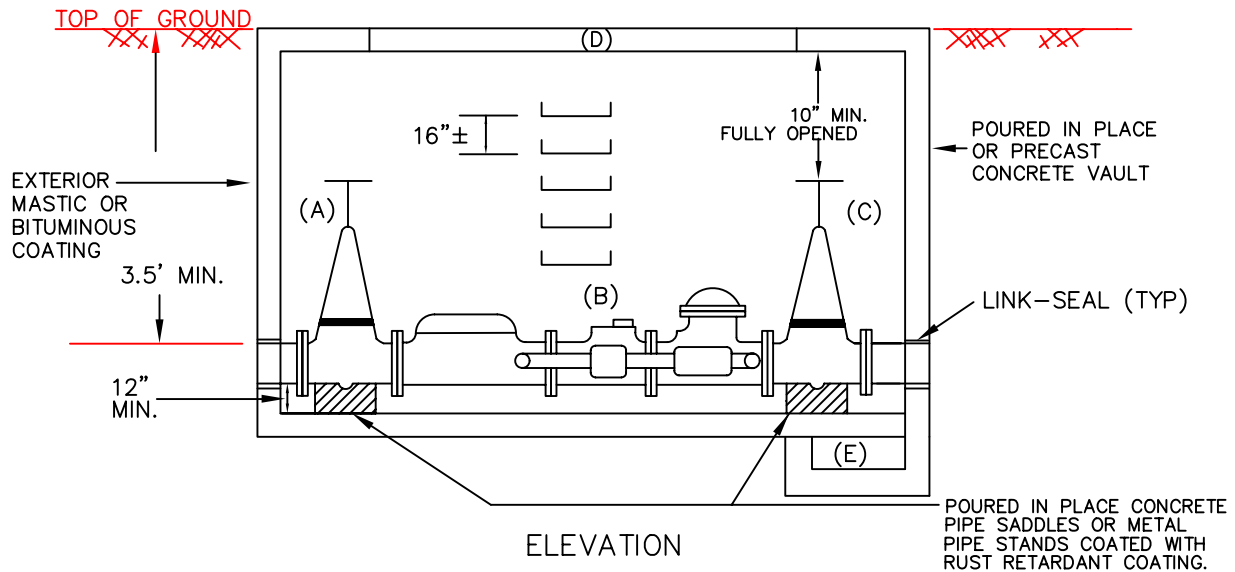


PLAN

- (A) OUTSIDE STEM AND YOKE GATE VALVE
- (B) INVENSYS FIRELINE METER WITH TOUCH READ (FM-720 OR FM-721)
- (C) OUTSIDE STEM AND YOKE GATE VALVE
- (D) JD-2AL 4' x 4' BILCO DOOR, OR AS MANUFACTURED BY VA. SPRINKLER COMPANY, OR APPROVED EQUAL.
- (E) SUMP PUMP OR GRAVITY DRAIN REQUIRED.



ELEVATION

DATE
MAY 2004
HANOVER
DPU

PRIVATE CENTRAL FIRE SYSTEM
FIRE METER ASSEMBLY & VAULT - 2 OF 3

DRWG. NO.
FIR-6