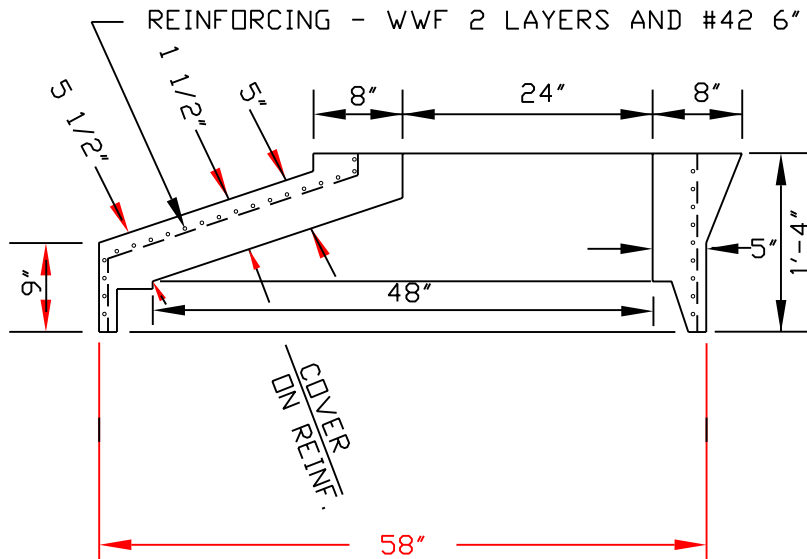


**NOTES:**

1. REINFORCING TO MEET ASTM A-185 FOR MESH AND ASTM A-615 FOR REBARS.
2. MANHOLE MEETS ALL REQUIREMENTS OF ASTM C-478
3. CONCRETE IS 4000 PSI COMPRESSIVE STRENGTH MINIMUM



DATE  
 MAY 2004  
 HANOVER  
 DPU

**1'-4" CONE (TYPE 1)**

DRWG. NO.  
**MAN-7**