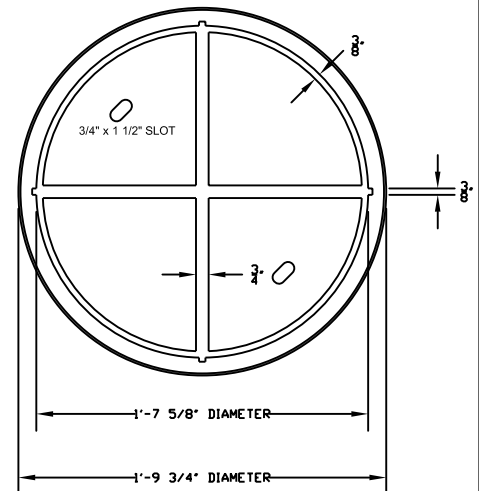


SECTION B-B



NOTES:

- 1) THE LETTERS ARE TO BE CAST IN THE DEPRESSION IN THE TOP OF COVER, 1" WIDE RAISED 3/8" HIGH AS SHOWN.
- 2) ON COVERS FOR WATER FACILITIES THE WORD "WATER" IS TO BE CAST IN THE TOP RATHER THAN "SEWER".
- 3) APPROXIMATE WEIGHT, CAST IRON; FRAME 239 ± 12 LBS, COVER 137 ± 7 LBS.
- 4) MANHOLE FRAMES LOCATED ABOVE GRADE SHALL BE ATTACHED TO MANHOLE BY USE OF TWO 1/2" STAINLESS STEEL ANCHOR BOLTS, WEDGE ANCHORS, OR STUD ANCHORS WITH STAINLESS STEEL WASHER AND NUT LOCATED ON OPPOSITE SIDES OF MANHOLE FRAME. HOLES IN MANHOLE FRAME SHALL BE NEATLY DRILLED TO ALIGN WITH ANCHORS.

DATE
MAY 2004
HANOVER
DPU

STANDARD MANHOLE FRAME & COVER

DRWG. NO.
MAN-11