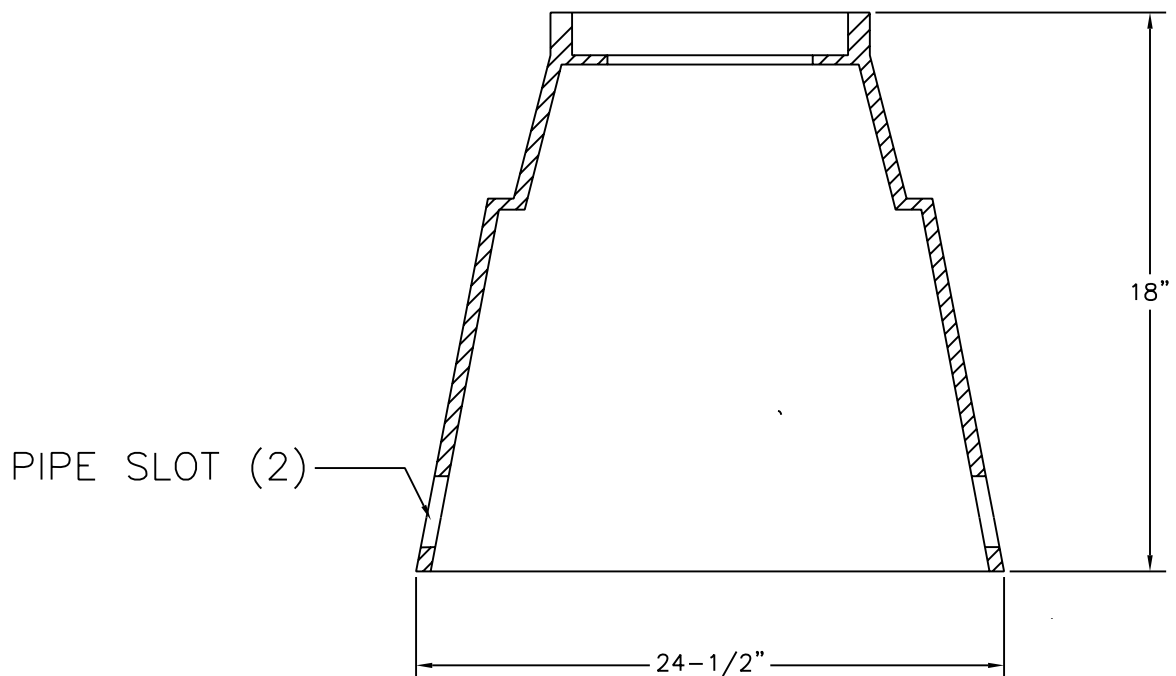


NOTE:

- a.) COVER LID MUST BE CAST IRON.



DATE
MAY 2004
HANOVER
DPU

**PLASTIC METER BOX
(5/8" AND 1" METERS)**

DRWG. NO.
MET-2