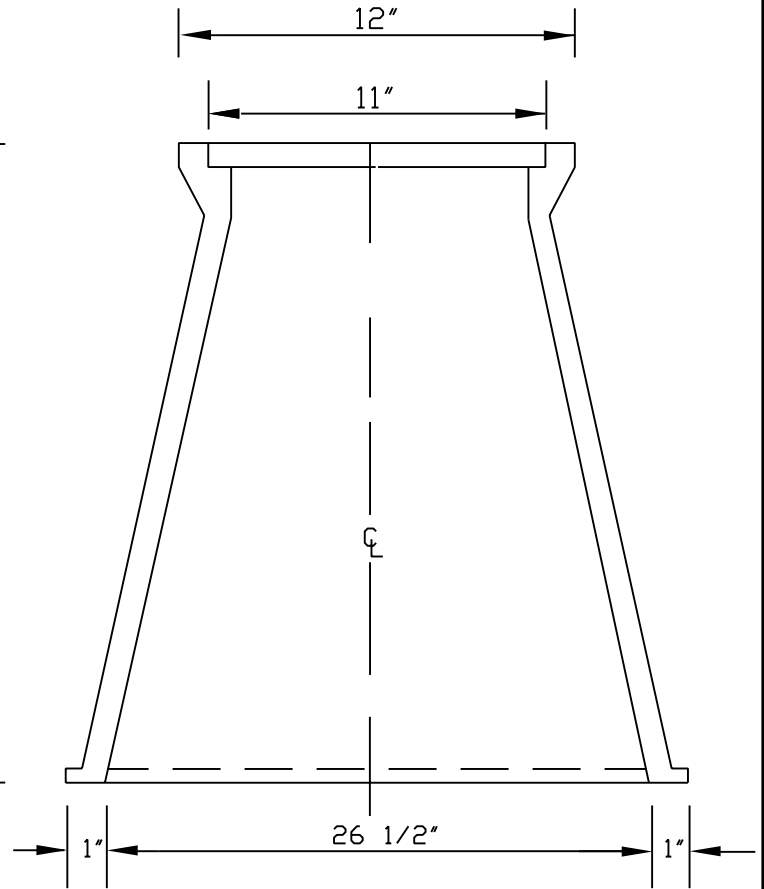
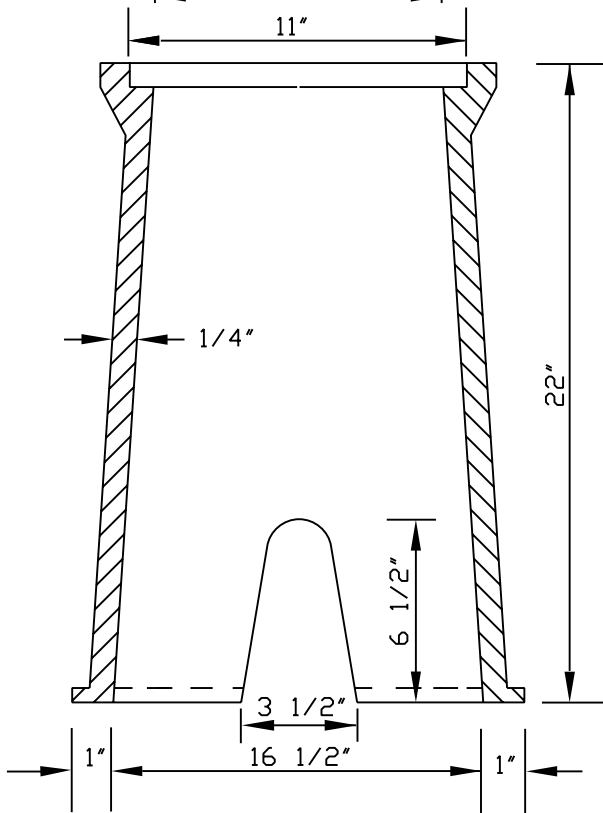
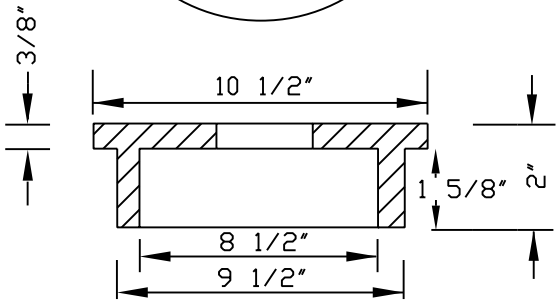


1-3/4" HOLE



DATE
MAY 2004
HANOVER
DPU

**CAST IRON METER BOX (TYPE 1)
(FOR 1" METERS)**

DRWG. NO.
MET-3