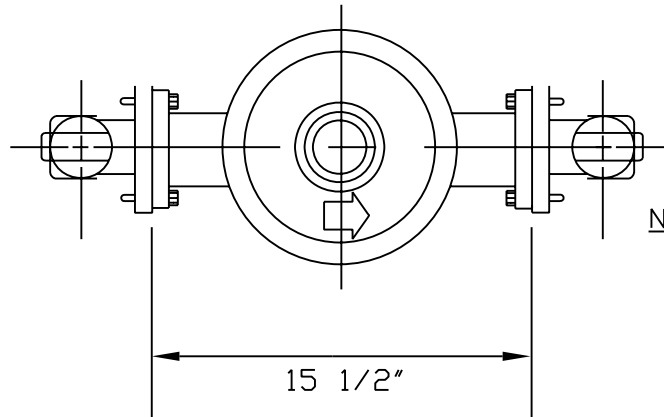
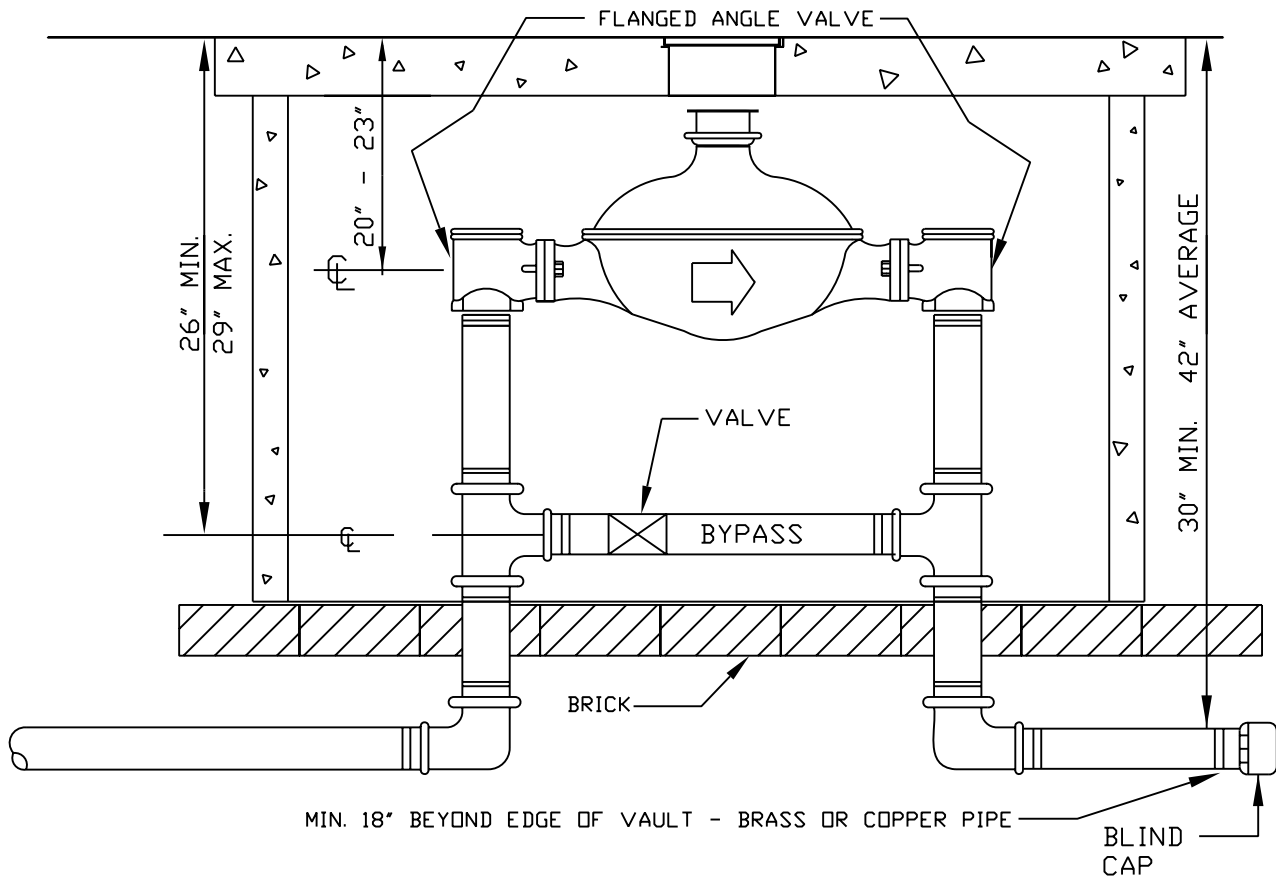


**NOTES:**

1. SADDLES SHALL BE USED FOR ALL TAPS.
2. WATER SERVICE LATERALS FOR 2" SERVICES WILL BE TYPE-K HARD COPPER. CONNECTIONS FOR 2" SERVICES WILL SWEAT 95/5 (LEADLESS) SOLDER AND A SUITABLE FLUX OR APPROVED COMPRESSION FITTINGS. ALL CONNECTIONS AT CORPORATION STOPS WILL BE APPROVED COMPRESSION FITTINGS.
3. TAPS SHOULD BE MADE AT THE SPRING LINE OF THE MAIN LINE.



**NOTE:** BYPASS SHALL BE LOCATED ABOVE OR AT FLOOR LEVEL OF METER VAULT.



DATE  
MAY 2004  
HANOVER  
DPU

## 2" COMPOUND METER SETTING

DRWG. NO.  
**MET-12**